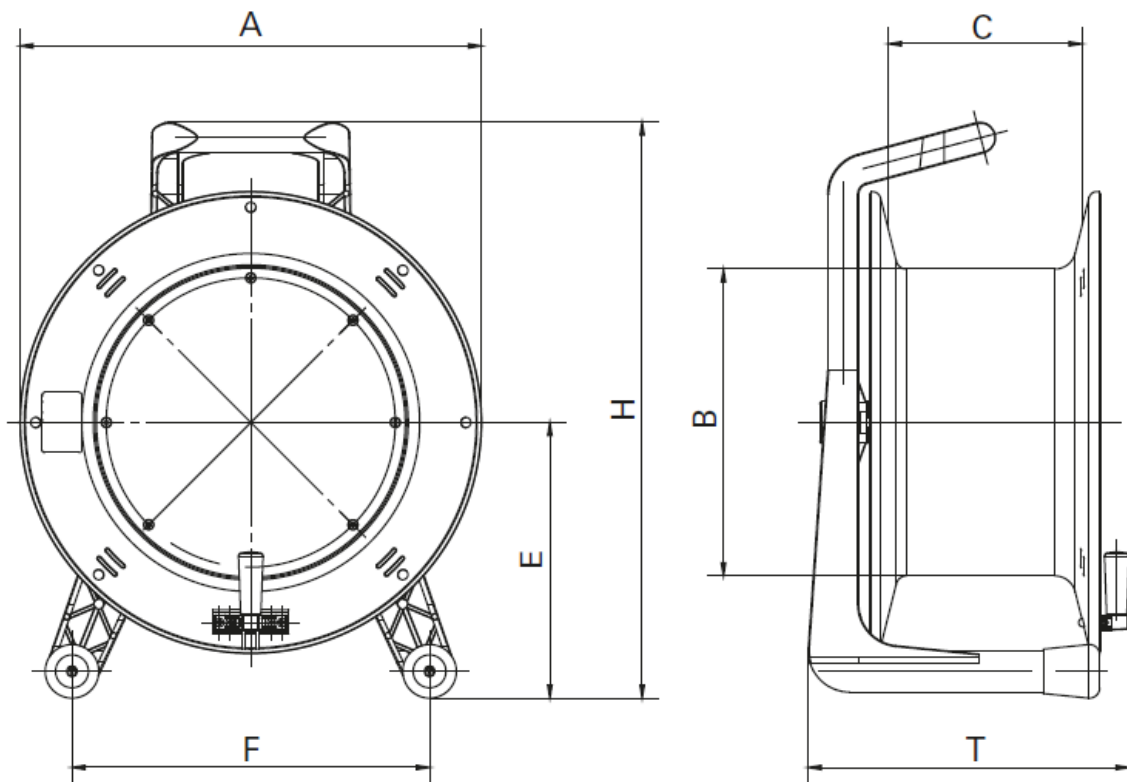




CD385

Black steel cable drum, with steel tube frame. Friction drum-brake incorporated into the frame to prevent movement in transit. Removable plastic blanking-plate over the hub, which can be punched to accept connectors as required, or removed for access to the inner tail of the cable. Folding winding-handle on the drum flange.

Dimensions & Weight



A	380mm	G	280mm
B	176mm	H	460mm
C	210mm	J	155mm
D	175mm	K	20mm
E	210mm	T	292mm
F	300mm		

Weight 5.9kg