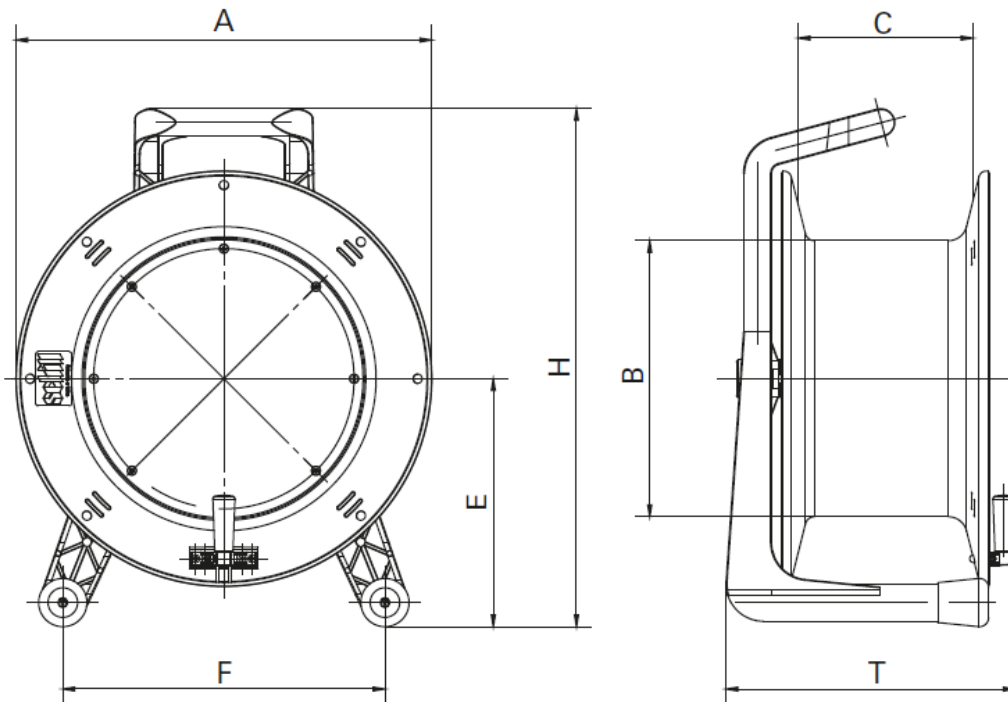




CDR450

Black durable cable-drum with synthetic rubber drum and moulded high-strength plastic frame. Friction drum-brake incorporated into the frame to prevent movement in transit. Removable plastic blanking-plate over the hub, which can be punched to accept connectors as required, or removed for access to the inner tail of the cable. Folding winding-handle on the drum flange.

Dimensions & Weight



A	445mm	G	266mm
B	296mm	H	555mm
C	187mm	T	312mm
F	345mm		

Weight 6.9kg