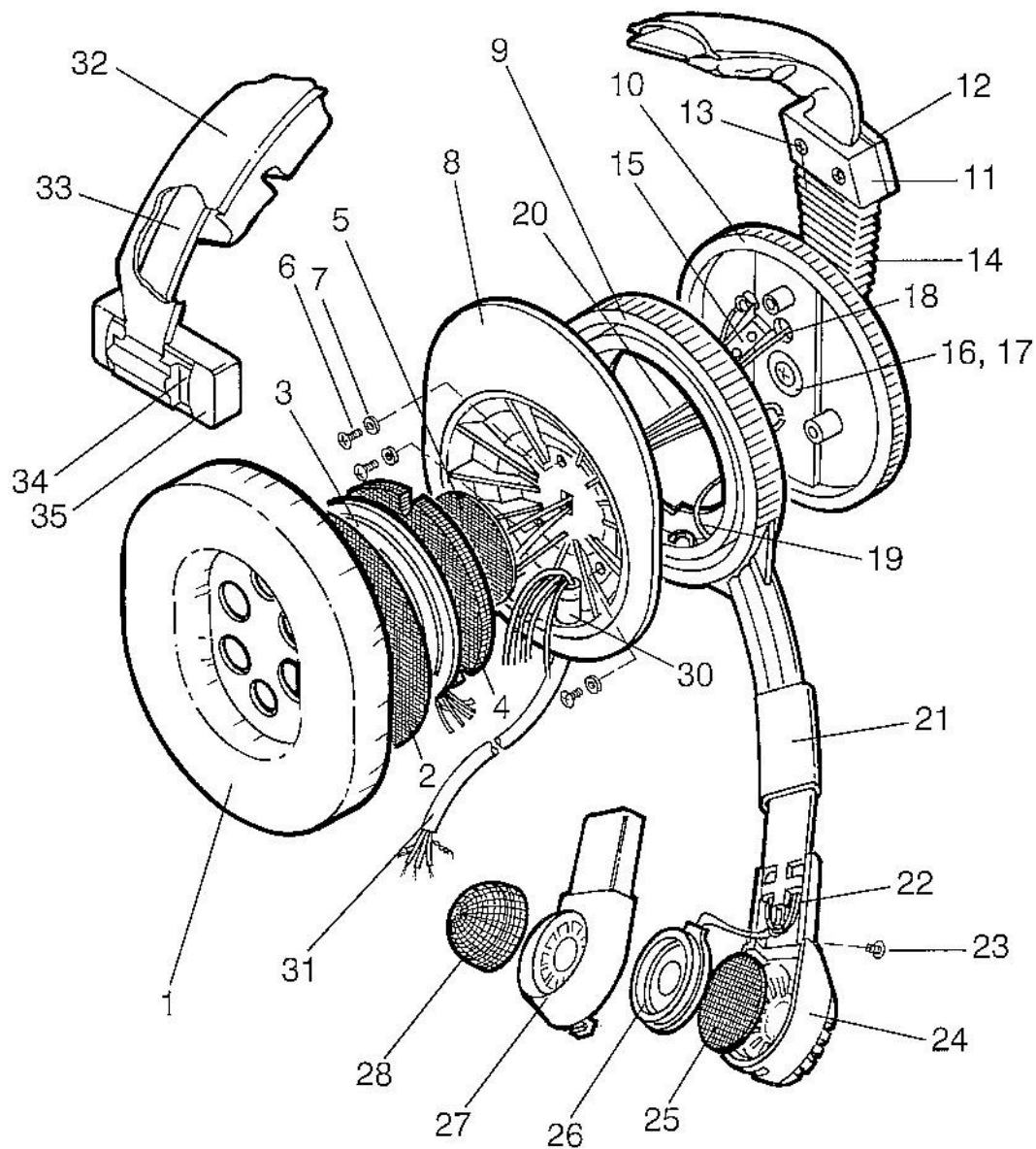


CANFORD HEADSET SPARE PARTS - 300 Series

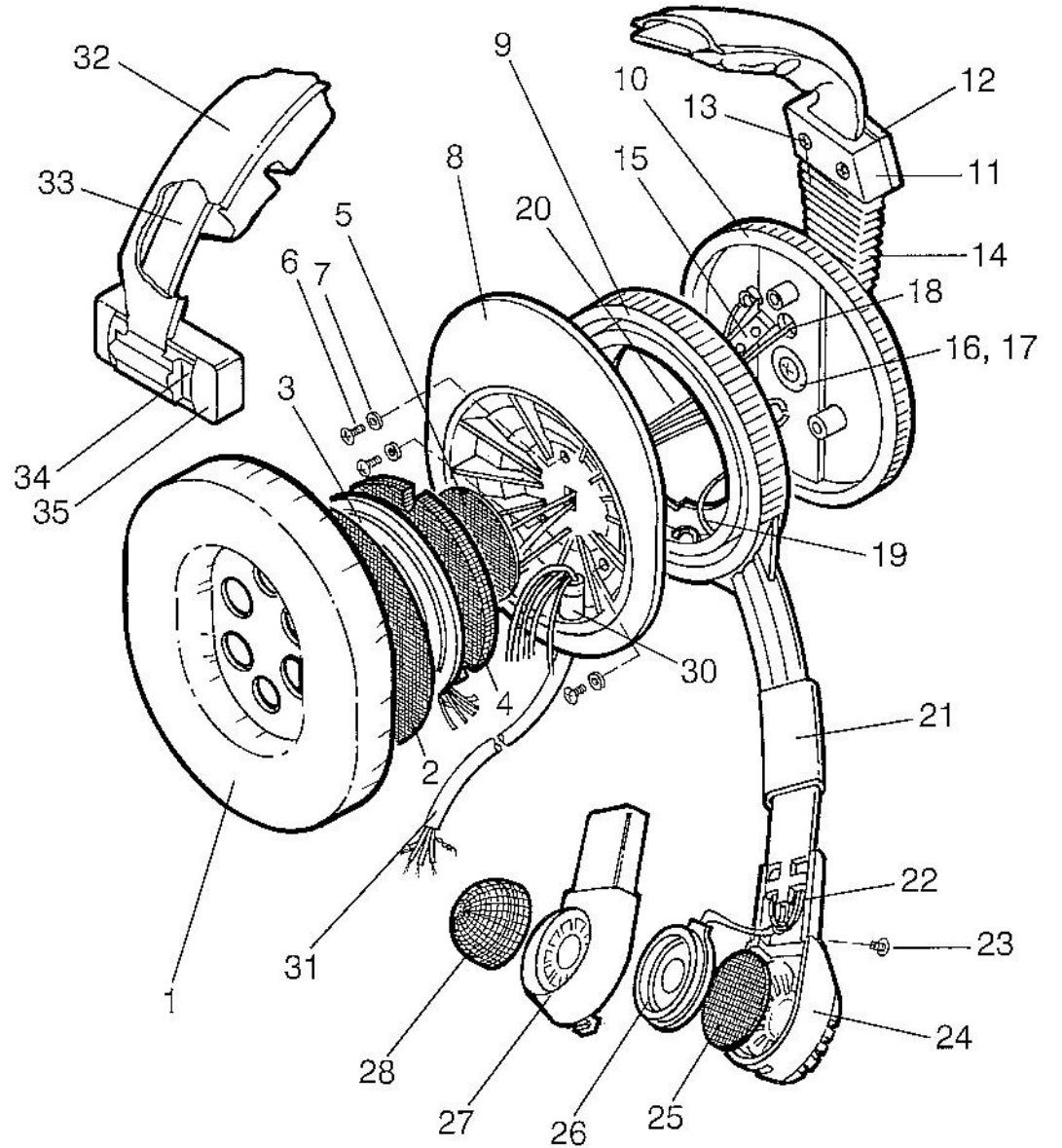
1	Earpad (DMH320 ,DMH325)	27-850
1	Earpad (SMH310)	27-851
3	Ear loudspeaker	27-853
4	Foam pad	27-854
5	Felt pad (35mm)	27-856
6	Screw KB3.5x8	27-857
7	Washer 4.3mm	27-858
8	Housing, inner part, left	27-859
9	Microphone boom	27-860
10	Housing, outer part, left	27-861
11	Headband holder, inner part	27-808
12	Headband holder, outer part	27-807
13	Screw, M2.2x9.5	27-809
14	Bellows	27-813
15	Microswitch	27-862
16	Sliding part, headband	27-816
17	Washer	27-817
18	Cable, earphone	27-812
19	Cable, microphone	27-863
20	Cable, microswitch	27-864
21	Mic housing sleeve	27-823
22	Wire insert, mic boom	27-865
23	Screw, M2.2x6.5	27-810
24	Mic housing, lower part	27-821
25	Felt washer	27-825



Spares for DMH320,DMH325 and SMH310

CANFORD HEADSET SPARE PARTS - 300 Series

- 26 Dynamic mic element ([DMH320](#), [SMH310](#)) [27-868](#)
- 26 Condenser mic element (DMH325) [27-869](#)
- 27 Mic housing, dynamic, upper part ([DMH320](#), [SMH310](#)) [27-822](#)
- 27 Mic housing, condenser, upper part (DMH325) [27-867](#)
- 28 Foam windshield, complete [27-824](#)
- 30 Brass ring [27-804](#)
- 31 Cable (without plug) [27-826](#)
- 32 Headband ([DMH320](#), 325) [27-831](#)
- 32 Headband ([SMH310](#)) [27-833](#)
- 33 Raw steel bow ([DMH320](#), 325) [27-836](#)
- 33 Raw steel bow ([SMH310](#)) [27-030](#)
- 34 Holder for temple pad ([SMH310](#)) [27-820](#)
- 35 Temple pad ([SMH310](#)) [27-848](#)
- Housing, right ([DMH320](#), 325) [27-847](#)



Spares for DMH320,DMH325 and SMH310

