



ASSEMBLY INSTRUCTION

speakON[®] Chassis Connector

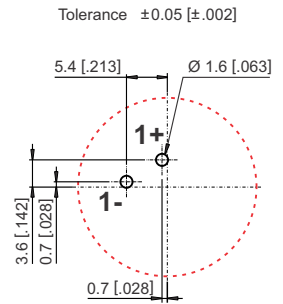
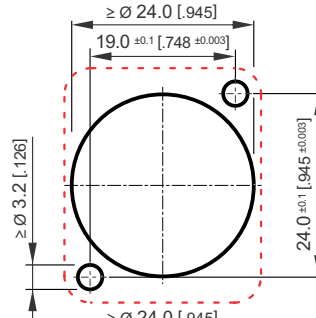
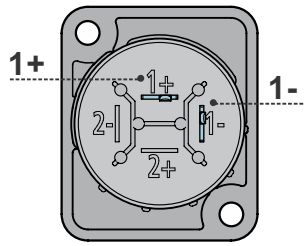
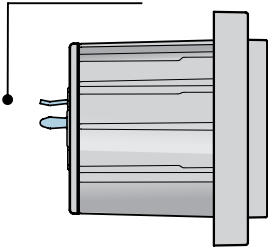
NL2MDXX-V & NL2MDXX-V-3 & NL2MDXX-H-3

! ATTENTION: speakON is NOT to be used as an mains or power supply connector!

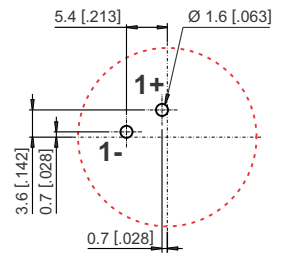
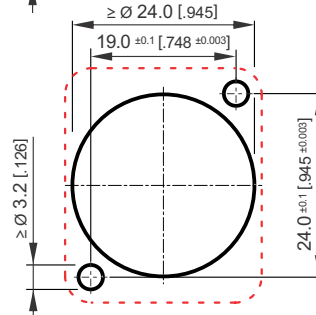
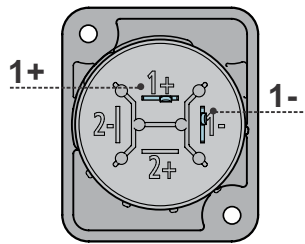
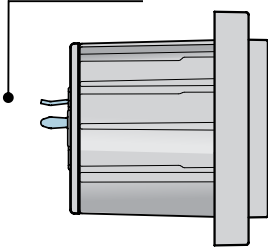
A ASSEMBLY INFORMATION

- 1** CONNECTION
- 2** WIRING
- 3** PANEL CUTOUT (Rear Side)
- 4** PCB Layout (Component Side)

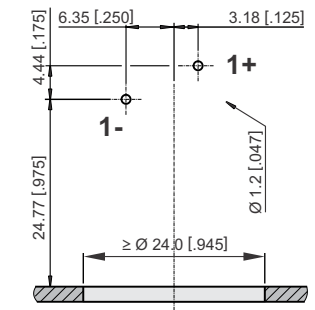
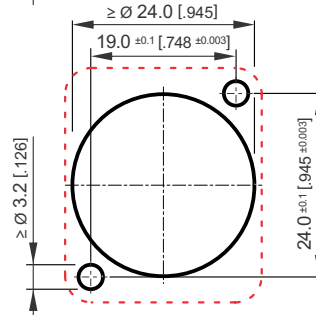
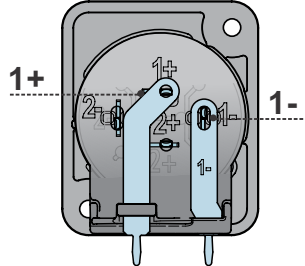
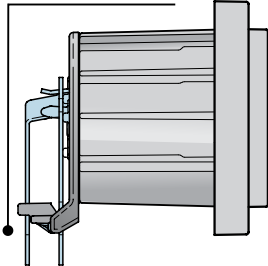
NL2MDXX-V Verticale PCB



NL2MDXX-V-3 Verticale PCB

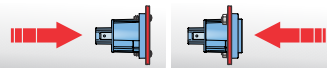


NL2MDXX-H-3 Horizontale PCB



! MOUNTING

! ATTENTION
Maximum allowable torque M_A



(screws not included)	Rear assembly	Front assembly
NL2MDXX-V Countersunk thru holes for countersunk machine screws (e.g., M3, 4-40)	90 Ncm	60 Ncm
NL2MDXX-V-3 Standard orientation self-tapping screw holes for Neutrik A-screw (rear mount only)	90 Ncm	-
NL2MDXX-H-3 Standard orientation self-tapping screw holes for Neutrik A-screw (rear mount only)	90 Ncm	-

B More Information on the www.neutrik.com

<https://www.neutrik.com/products/audio/speakon>



Neutrik AG LI T: +423 / 237 24 24 F: +423/232 53 93
 Neutrik USA Inc. USA T: +1 704 / 972 3050 F: +1 704/438 9202
 Neutrik (UK) Ltd. UK T: +44 1983 / 811 441 F: +44 1983/811 439
 Neutrik Vertriebs GmbH DE/NL/AT/DK T: +49 8131 / 280 890 F: +49 8131/280 830

Neutrik France FR T: +33 1/4131 6750 F: +33 1/4131 0511
 Neutrik Tokyo Ltd. JP T: +81 3/3663 4733 F: +81 3/3663 4796
 Neutrik Hong Kong Ltd. HK T: +852/2687 6055 F: +852/2687 6052
 Neutrik India Pvt. Ltd. IND T: +91/982 05 43 424 F: +91/22 26163 540

Draft. Nr.: BDA 593 V1 | Update: 2020-05-20 | Data subject to change without prior notice. ©2020 NEUTRIK®. ALL RIGHTS RESERVED. NEUTRIK® are registered trademark.

www.neutrik.com

NEUTRIK