

SC11

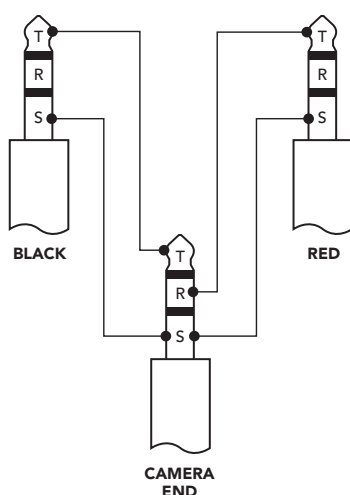
TRS SPLITTER CABLE



The SC11 is a TRS splitter cable for connecting two mono outputs to a single stereo input. It is particularly suitable for connecting two microphones to a single DSLR-style camera, for example dual Wireless GO receivers, or a wireless receiver and a VideoMic. It is compatible with the cable management slots in the RØDE SM7-R and DCS-1 mounts.

- High-quality shielded patch cable
- Dual TRS output
- 275mm (10.8") long

Wiring Diagram



ACOUSTIC & ELECTRICAL SPECIFICATIONS

Output Connection: Dual 3.5mm TRS

Inputs: 3.5mm TRS

MECHANICAL SPECIFICATIONS

Weight (grams): 12

Dimensions (millimetres): Overall length: 275.5
Memory cable length: 152.5
Flex cable length: 97.5

Compatible RØDE Products:

- DCS-1
- Wireless GO
- VideoMic NTG
- VideoMic Pro+
- VideoMic GO
- VideoMicro