

48-784 TELEGARTNER BNC 3G HD Male cable, crimp, 75 ohm, for Canford SDV-F-HD (pack of 100)

**Mechanical Characteristics:**

Cable Group:	Canford SDV-F-HD (36-580)	Telegartner	G53
Interface dimensions acc. to	IEC 61169-8		
Mating life	>500		

**Materials**

Centre contact	CuZn39Pb3
Outer contact	CuZn39Pb3
Other metal parts	GD-ZnAl4Cu1
Crimp ferrule	SF Cu w
Insulator	PTFE Green (RAL 6001)
Gasket	Silicone

**Finish**

NiP Au
Cu2Ni5
Zn/Cu6Ni6
Ni5

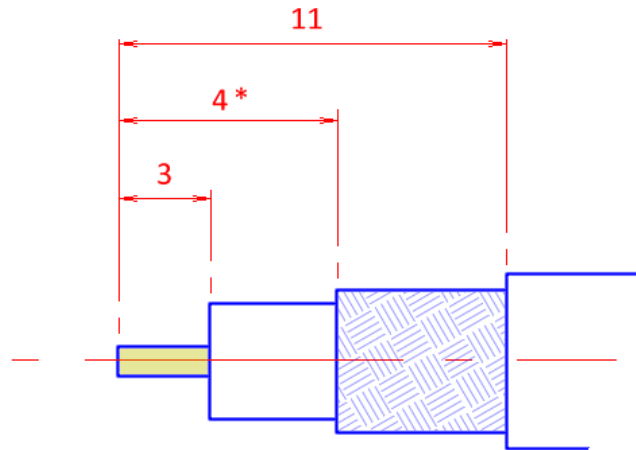
**Electrical characteristics:**

Impedance	75 Ω
Frequency	0-3 GHz
Typical return loss (cable dependent)	1 GHz 36 dB 2 GHz 31 dB 3 GHz 29 dB
Working voltage	≤ 0.5 kVeff / 50 Hz
Voltage proof	1.5 kVeff / 50 Hz
Insulation resistance	≥ 5 GΩ
Centre contact resistance	≤ 20 mΩ
Outer contact resistance	≤ 5 mΩ

**Environmental:**

Operating temperature	-40°C to +75°C
RoHS compliant	2011/65/EU

**Cable Prep:**

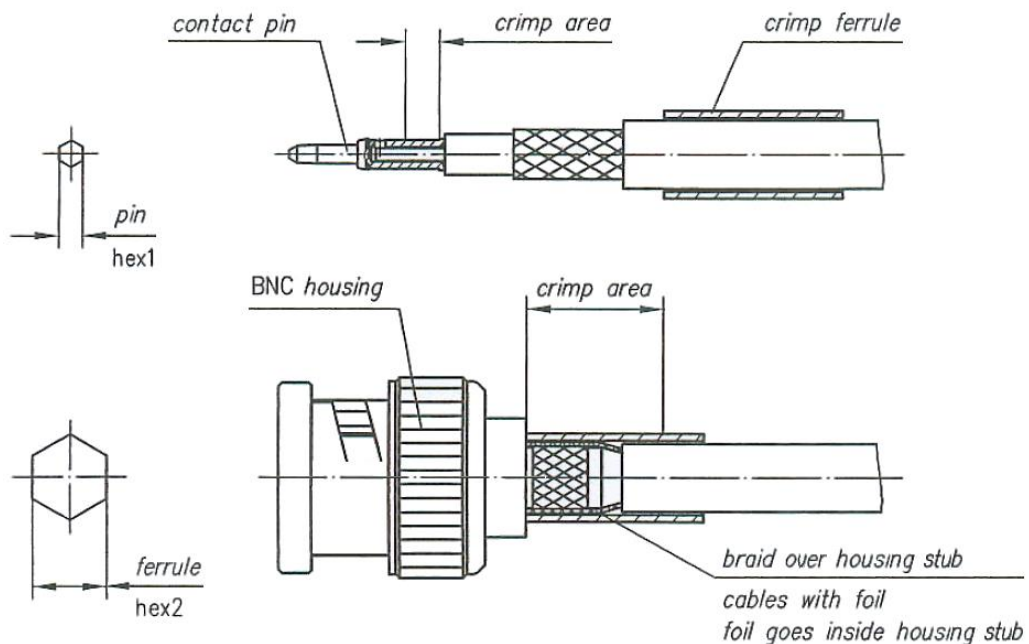


All dims: mm

Not to scale

\* If foil screen present cut even with braid

**Crimp Details:**



Hex1	Pin	1.69
Hex2	Ferrule	8.23

**Tooling:**

Currently Canford does not stock a single die set that accommodates both pin & ferrule so below are listed suitable separate die sets.

- Handtool: 55-752 PALADIN 8000 Coaxial crimp tool
- Die set – Pin: 55-764 PALADIN 3703 DIE SET for group Y and Telegartner BNC HD groups Q, X, Y
- Die set – Ferrule: 55-766 PALADIN 2687 DIE SET for group Y (CT100/CX100) F-connectors and RG45